



i7 OPS

Model: IFP-OPS-i7



INTRODUCTION

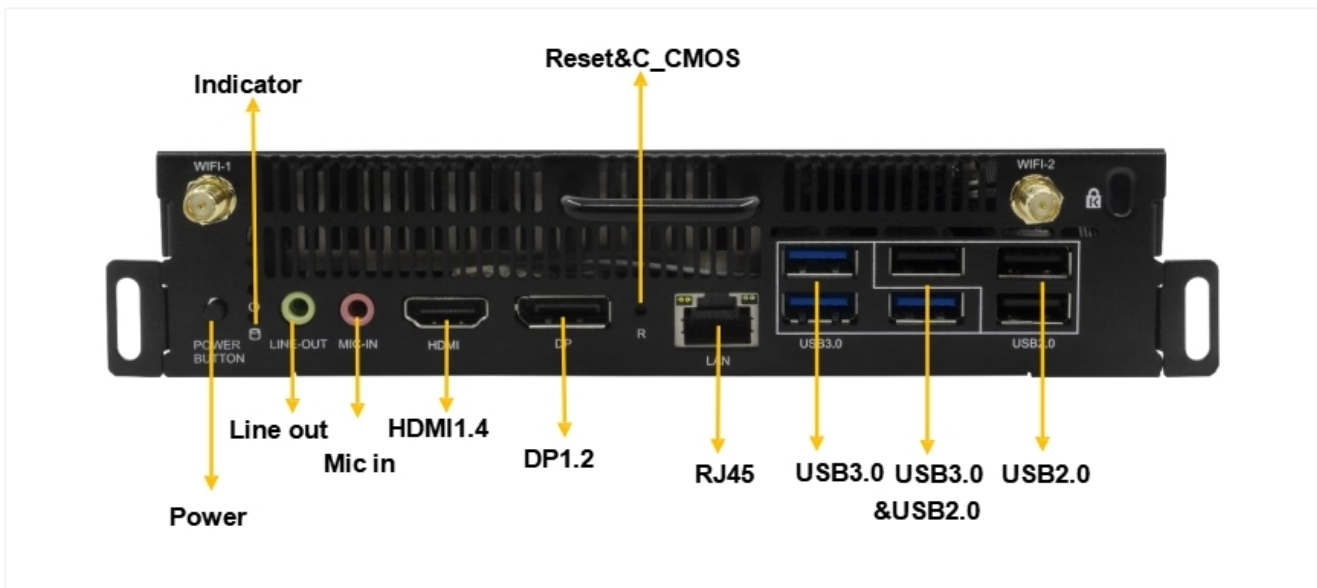
Intel OPS-C standard module I7-10700, supports Intel 10th Gen processor 8G, 2 x channel DDR4 Memory 256G,

- 1 x M.2 2280/2242
- SSD slot 9 x USB2.0/3.0/M.
- 2 2230 WIFI/BT slot
- Displays: 1 x HDMI , 1 x DP, 1 x HDMI(80pin) , 12-19V DC

I/O INTERFACE

- Front panel
 - 1 x HDMI1.4, 1 x DP1.2, 3 x USB 2.0, 3 x USB 3.0, 1 x RJ45, 1 x MIC IN, 1 x Line out 2 x Wi-Fi/BT ANT, 1 x Power button, 1 x Reset button, 1 x HDMI2.0
 - 1 x DP1.2, 3 x USB 2.0, 3 x USB 3.0, 1 x RJ45, 1 x MIC IN, 1 x Line out 2 x Wi-Fi/BT ANT, 1 x Power button, 1 x Reset button
- Rear panel
 - 1 x 80pin : HDMI 2.0, 2*USB2.0, 1*USB3.0, TTL, AUDIO OUT, 1 x 2.5/5.5 DC IN JACK

DIAGRAM





SPECIFICATIONS

Processor System	CPU	I7-10700, Intel® Comet Lake-S , LGA1200, TDP 65W	Intel® Rocket Lake-S , LGA1200, TDP 65W
	PCH	H510	
	BIOS	AMI UEFI BIOS	
Graphics	Chipset	Intel UHD Graphics	
	VRAM	32GB (Max)	
	Multi displays	Support Dual displays	
	Interface	1 x HDMI1.4 , resolution 4096 x 2160 @ 30Hz 1 x DP1.2 , resolution 4096 x 2160 @ 60Hz 1 x 80pin Con. HDMI2.0, resolution 4096 x 2160 @60Hz	1 x HDMI2.0 , resolution 4096 x 2160 @ 60Hz 1 x DP1.2 , resolution 4096 x 2160 @ 60Hz 1 x 80pin Con. HDMI2.0, resolution 4096 x 2160 @60Hz
Memory	Type	8G,2 x SO-DIMM DDR4	
	Max	32GB	
Ethernet	Lan IC	Realtek 8111H Gigabit Ethernet	
	Interface	10/100/1000Mbps	
	Connector	1 x RJ45	
Wireless	Type	PCIe+USB Wi-Fi/BT module	
	Interface	1 x M.2 2230 for Wifi+BT module	
Storage	Type	SSD	
	Interface	256G,1 x M.2 2280 for PCIE 4X/ SATA SSD	
IO Interface	Front panel	1 x HDMI1.4, 4096 x 2160 @ 30Hz 1 x DP1.2, 4096 x 2160 @ 60Hz 3 x USB 2.0 , 3 x USB 3.0 1 x RJ45 1 x MIC IN, 1 x Line out 2 x Wi-Fi/BT ANT 1 x Power button, 1 x Reset button	1 x HDMI2.0, 4096 x 2160 @ 60Hz 1 x DP1.2, 4096 x 2160 @ 60Hz 3 x USB 2.0 , 3 x USB 3.0 1 x RJ45 1 x MIC IN, 1 x Line out 2 x Wi-Fi/BT ANT 1 x Power button, 1 x Reset button
	Rear panel	1 x 80pin : HDMI 2.0, 2*USB2.0 , 1*USB3.0, TTL, AUDIO out 1 x 2.5/5.5 DC IN JACK	
Software	OS Supports	WINDOWS 10 / LINUX	
	Watchdog	Support	
	vPro/AMT	N/A	
	TPM	N/A	
Power	Power input	12 /19V DC IN, 2.5/5.5 DC Jack	
Size		195 x 180 x 42 mm	
Environment	Operating Temp.	-5~45°C	
	Operating Humidity	10%~90% non-condensing	
	Storage Temp.	-20~70°C	
	Operating Humidity	5%~95% non-condensing	