

4K@60hz 4:4:4 8x8 HDBaseT 150m Matrices with Audio de-embedding and ARC

Model: MA-HB-HD0808L



INTRODUCTION

MA-HB 18Gbps 8x8 HDBaseT(150M) Matrix can connect 8 HDMI sources to 16 displays. It features 8 HDMI outputs and each HDMI output is mirrored to provide a CAT-Cable output which runs simultaneously.

HDBaseT output can extend video transmission distance up to 492ft / 150m via a single Cat 5e/6/7 cable and the resolution is up to 4K2K@60Hz 4:4:4.

I/O INTERFACE

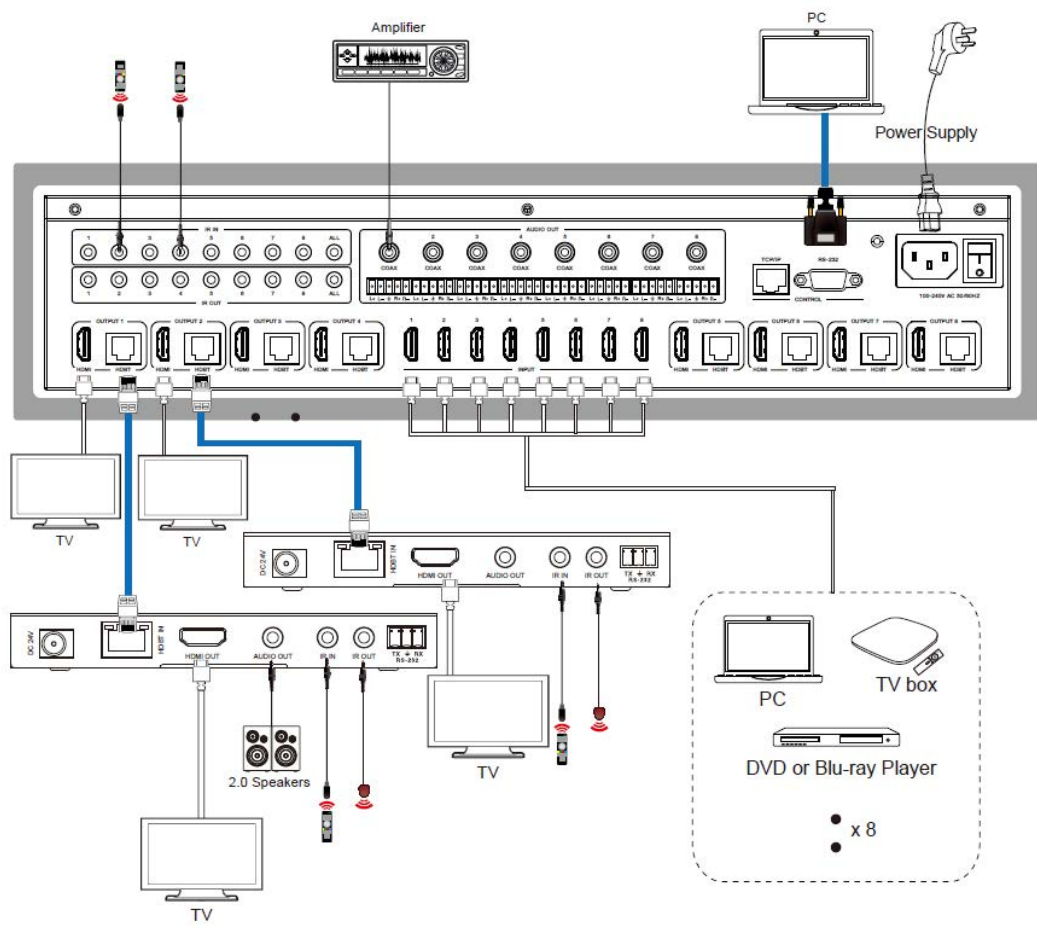
Input: 8 x HDMI Type A, Outputs: 8 x HDMI Type A, 8 x HDBaseT port, 4 x Coaxial audio, 8 x balanced analog audio
Controls: 9 x IR IN, 5x IR OUT, 1 x TCP/IP, 1 x RS-232
HDBaseT Receiver
Input: 1 x HDBT IN
Outputs: 1 x HDMI Type A, 1 x AUDIO OUT
Controls: 1 x IR IN, 1 x IR OUT, 1 x RS-232, 1 x SERVICE

FEATURES

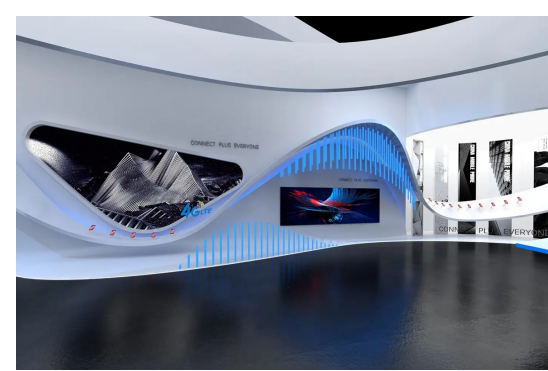
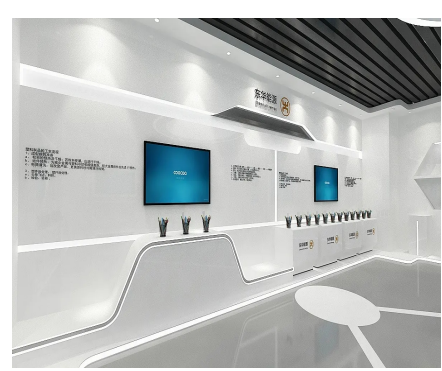
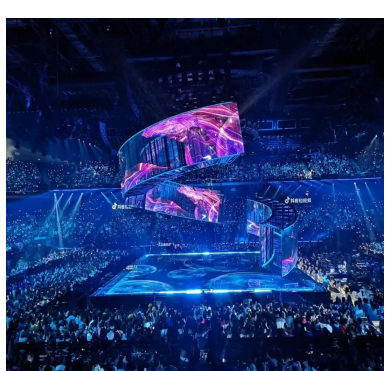
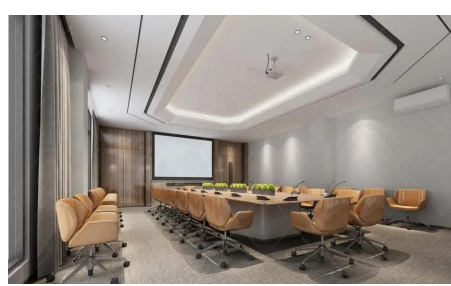
- HDMI 2.0b, HDCP 2.2 and HDCP 1.x compliant;
- Video resolution up to 4K2K@60Hz (YUV 4:4:4) on all HDMI & HDBaseT ports;
- 8 HDMI inputs, 8 HDMI & HDBaseT mirrored outputs;
- HDMI ports transmit 18Gbps lossless uncompressed video bandwidth;
- Support 18Gbps lossless compressed HDBaseT signal transmission;
- Support 4K->1080P Down Scaler for each output port;
- HDR, HDR10, HDR10+, Dolby Vision, HLG are supported;
- Support IR matrix;
- Audio de-embedded is supported via analog and coax ports;
- Advanced EDID management and CEC control are supported;
- 24V POC on all HDBaseT ports;
- 1U rack mounted design with front panel OLED display;
- Control via front panel buttons, IR remote, RS-232, LAN and Web GUI.



DIAGRAM



APPLICATION





SPECIFICATIONS

Technical			
HDMI Compliance	HDMI 2.0b		
HDCP Compliance	HDCP 2.2 and HDCP 1.x		
Video Bandwidth	18Gbps		
Video Resolution	Up to 4K2K@50/60Hz (4:4:4)		
Color Space	RGB 4:4:4, YCbCr 4:4:4/4:2:2/4:2:0		
Color Depth	8-bit, 10-bit, 12-bit (1080p@60Hz) 8-bit (4K2K@60Hz YUV4:4:4) 8-bit, 10-bit, 12-bit (4K2K@60Hz YCbCr 4:2:2/4:2:0)		
HDR	HDR10, HDR10+, Dolby Vision, HLG		
HDMI Audio Formats	LPCM 2.0/2.1/5.1/6.1/7.1, Dolby Digital, Dolby TrueHD, Dolby Digital Plus(DD+), DTS-ES, DTS HD Master, DTS HD-HRA, DTS-X		
Coax Audio Formats	PCM 2.0, Dolby Digital / Plus, DTS 2.0/5.1		
Analog Balanced Audio Formats	PCM2.0CH		
Vmax	2Vrms		
SNR	> 90dB		
THD+N Ratio	<0.1% (V_max) 0.001%~0.01% (V_best)		
Crosstalk	> 80dB		
Frequency Response	20Hz~20kHz ±0.5dB		
ESD Protection	Human-body Model: ±8kV (Air-gap discharge) , ±4kV (Contact discharge)		
Connection			
Matrix	Inputs: 8 x HDMI Type A [19-pin female] Outputs: 8 x HDMI Type A [19-pin female] 8 x HDBaseT port [RJ45] 4 x Coaxial audio [3.5mm Stereo Mini-jack] 8 x balanced analog audio [5-pin Phoenix connector] Controls: 9 x IR IN [3.5mm Stereo Mini-jack] 5 x IR OUT [3.5mm Stereo Mini-jack] 1 x TCP/IP [RJ45] 1 x RS-232 [D-Sub 9]		
HDBaseT Receiver	Input: 1 x HDBT IN [RJ45, 8-pin female] Outputs: 1 x HDMI Type A [19-pin female] 1 x AUDIO OUT [3.5mm Stereo Mini-jack] Controls: 1 x IR IN [3.5mm Stereo Mini-jack] 1 x IR OUT [3.5mm Stereo Mini-jack] 1 x RS-232 [3-pin Phoenix connector] 1 x SERVICE [Mini-USB, Update port]		
Mechanical			
Housing	Metal Enclosure		
Color	Black		
Dimensions	Matrix: 440mm (W) x 374mm (D) x 88.6mm (H) Receiver: 140mm (W) x 65mm (W) x 18mm (W)		
Weight	Matrix: 6.54Kg, Receiver: 155g		
Power Supply	AC 100 - 240V 50/60Hz		
Power Consumption	125W (Max)		
Operating Temperature	0°C ~ 40°C / 32°F ~ 104°F		
Storage Temperature	-20°C ~ 60°C / -4°F ~ 140°F		
Relative Humidity	20~90% RH (non-condensing)		
Resolution / Distance	4K60 - Feet / Meters		
CAT5e/6/7	492ft / 150M		
Resolution / Cable length	4K60 - Feet / Meters	4K30 - Feet / Meters	1080P60 - Feet / Meters
HDMI IN / OUT	16ft / 5M	32ft / 10M	50ft / 15M
The use of "Premium High Speed HDMI" cable is highly recommended.			