

4K@60hz 4:4:4 HDR HDBaseT 100m Matrices with Audio de-embedding and ARC

Model: MA-HB-HD0808S



INTRODUCTION

MA-HB 18Gbps 8x8 HDBaseT(100M) Matrix can connect eight HDMI sources to sixteen displays. It features eight HDMI outputs and each HDMI output is mirrored to provide a CAT-Cable output which runs simultaneously.

It supports video resolution up to 4K@60Hz 4:4:4. The HDBaseT output can extend video transmission distance up to 328ft / 100m via a single CAT 5e/6/7 cable.

I/O INTERFACE

Input: 8×INPUT,10×IR INPUT,2×Stereo Audio,1×SPDIF,1×SPDIF

Output: 8×HDMI OUTPUT, 8×HDBaseT port,9×IR OUTPUT,8×RS-232,8×SPDIF,8×Stereo Audio,1×LAN
Control: 1×TCP/IP,1×RS-232

HDBaseT Receiver

Input Ports: 1×HDBaseT IN,1×IR IN

Output Ports: 1×HDMI OUT,1×IR OUT

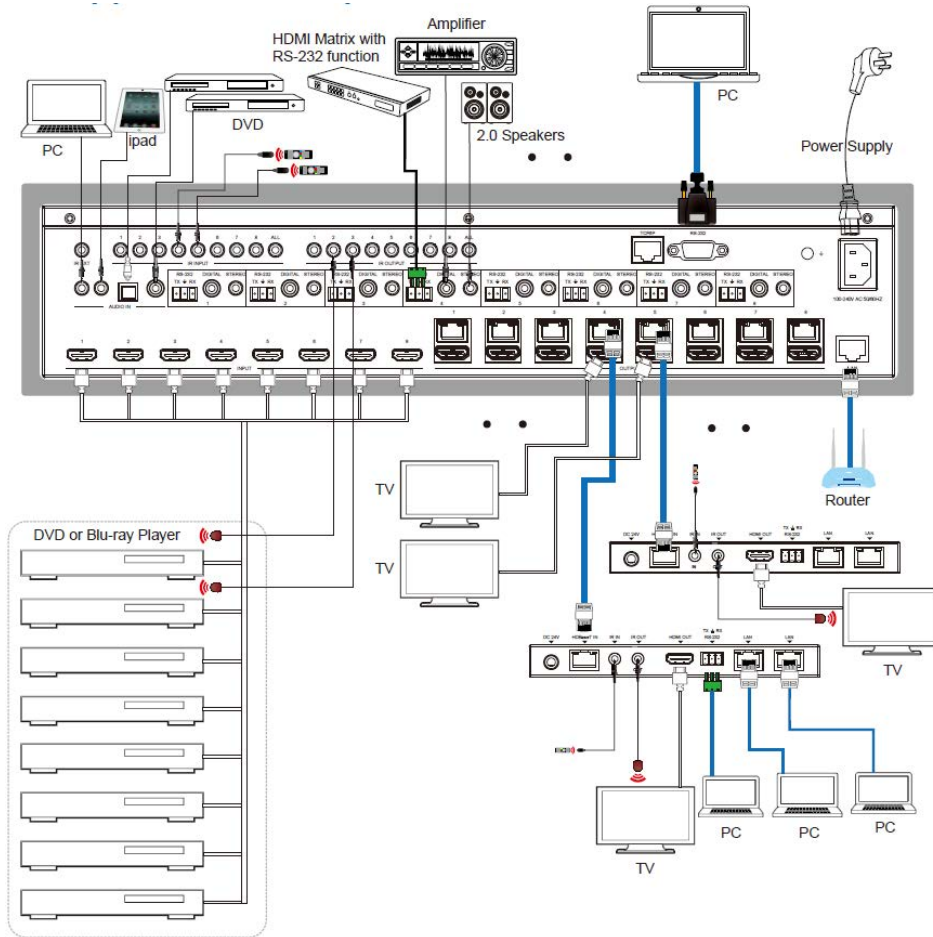
Control Ports: 1×SERVICE,1×RS-232 ,2×LAN

FEATURES

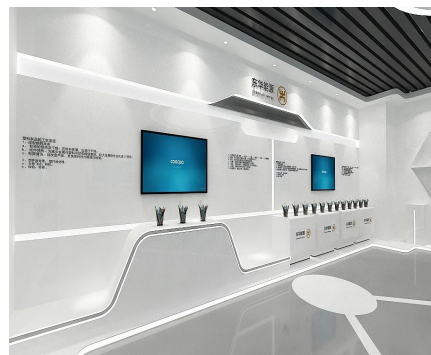
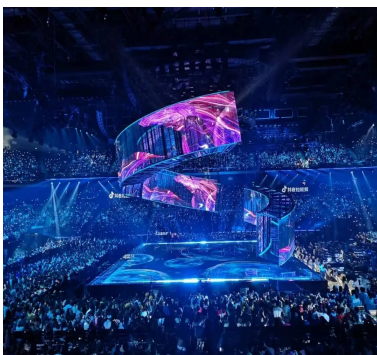
- HDMI 2.0b, HDCP 2.2 and HDCP 1.4 compliant;
- 8 HDMI inputs, 8 HDMI outputs and 8 HDBaseT mirrored outputs;
- Support video resolution up to 4K@60Hz 4:4:4;
- HDMI ports transmit 18Gbps lossless uncompressed video bandwidth;
- Support 18Gbps lossless compressed HDBaseT signal transmission;
- Support 4K->1080P Down Scaler;
- Dolby Vision, HDR10+, HLG are supported;
- HDBaseT output can extend video transmission distance up to 328ft / 100 meters via a single CAT 5e/6/7 cable;
- HDMI audio pass-through up to 7.1CH HD audio (LPCM, Dolby TrueHD and DTS-HD Master Audio);
- Support ARC function on local HDMI and HDBaseT output ports;
- IR matrix and Audio matrix are supported;
- Support smart EDID management;
- Control via front panel buttons, IR remote, RS-232, LAN, and Web GUI.



DIAGRAM



APPLICATION





SPECIFICATIONS

Technical			
HDMI Compliance	HDMI 2.0b		
HDCP Compliance	HDCP 2.2 and HDCP 1.4		
Video Bandwidth	18Gbps		
Video Resolution	Up to 4K2K@50/60Hz (4:4:4)		
Color Space	RGB, YCbCr 4:4:4/4:2:2/4:2:0		
Color Depth	12-bit (4K), 16-bit (1080P)		
HDMI Audio Formats (Pass-through)	PCM2.0/5.1/7.1CH, Dolby Digital/Plus/EX, Dolby True HD, DTS, DTS-EX,DTS-96/24, DTS High Res, DTS-HD Master Audio, DSD		
Coax Audio Formats	PCM 2.0, Dolby Digital / Plus, DTS,		
L/R Audio Formats	PCM2.0		
HDR formats	4:4:4,4:2:2,4:2:0(10,12bit deep color) HDR10,HDR10+,Dolby Vision, HLG		
Infrared	20KHz ~ 60KHz		
ESD Protection	Human-body Model: ±8kV (Air-gap discharge) , ±4kV (Contact discharge)		
Connection			
Matrix			
Input Ports	8×INPUT [HDMI Type A, 19-pin female] , 10×IR INPUT [3.5mm Stereo Mini-jack] 2×Stereo Audio [3.5mm Stereo Mini-jack B] 1×SPDIF(OPTICAL), 1×SPDIF(COAX)		
Output Ports	8×HDMI OUTPUT [HDMI Type A, 19-pin female] 8×HDBaseT port [RJ45] 9×IR OUTPUT [3.5mm Stereo Mini-jack] 8×RS-232 [3-pin Phoenix connector] 8×SPDIF(COAX),8×Stereo Audio[3.5mm Stereo Mini-jack] 1×LAN [RJ45]		
Control Ports	1×TCP/IP [RJ45] 1×RS-232 [D-Sub 9]		
HDBaseT Receiver			
Input Ports	1×HDBaseT IN [RJ45] 1×IR IN [3.5mm Stereo Mini-jack]		
Output Ports	1×HDMI OUT [HDMI Type A, 19-pin female] 1×IR OUT [3.5mm Stereo Mini-jack]		
Control Ports	1×SERVICE [Micro USB, Update port] 1×RS-232 [Phoenix jack] 2×LAN [RJ45]		
Mechanical			
Housing	Metal Enclosure		
Color	Black		
Dimensions	TX: 440mm (W)×362mm (D)×88mm (H) RX: 163mm (W)×90.3mm (D)×18mm (H)		
Weight	TX: 6.9 kg, RX: 392g		
Power Supply	AC 100 - 240V 50/60Hz		
Power Consumption	128W (Max)		
Operating Temperature	0°C ~ 40°C / 32°F ~ 104°F		
Storage Temperature	-20°C ~ 60°C / -4°F ~ 140°F		
Relative Humidity	20~90% RH (non-condensing)		
Resolution / Distance	4K60 - Feet / Meters		
CAT 5e/6/7	328ft / 100M		
Resolution / Cable length	4K60 - Feet / Meters	4K30 - Feet / Meters	1080P60 - Feet / Meters
HDMI IN / OUT	16ft / 5M	32ft / 10M	50ft / 15M
The use of "Premium High Speed HDMI" cable is highly recommended.			