

1080P@60hz 100m 4K@60hz 90m HDMI HDR POC HDBaseT Extenders with ARC and USB2.0

Model: EXT-HB-100AU



FEATURES

- HDCP 2.2 / HDCP 1.4 and DVI 1.0 compliant;
- Support 18Gbps video bandwidth;
- Video resolution is up to 4k2k@60Hz YUV 4:4:4;
- The maximum transmission distance is 328ft / 100 meters via a single CAT6a/7 cable;
- Support ARC (Audio Return Channel) function;
- With bi-directional IR, RS-232 and CEC pass-through;
- Support USB KVM function;
- HDR, HDR10+, Dolby Vision and HLG function supported;
- Support PoC (Power over Cable) function;
- Compact design for easy and flexible installation.

INTRODUCTION

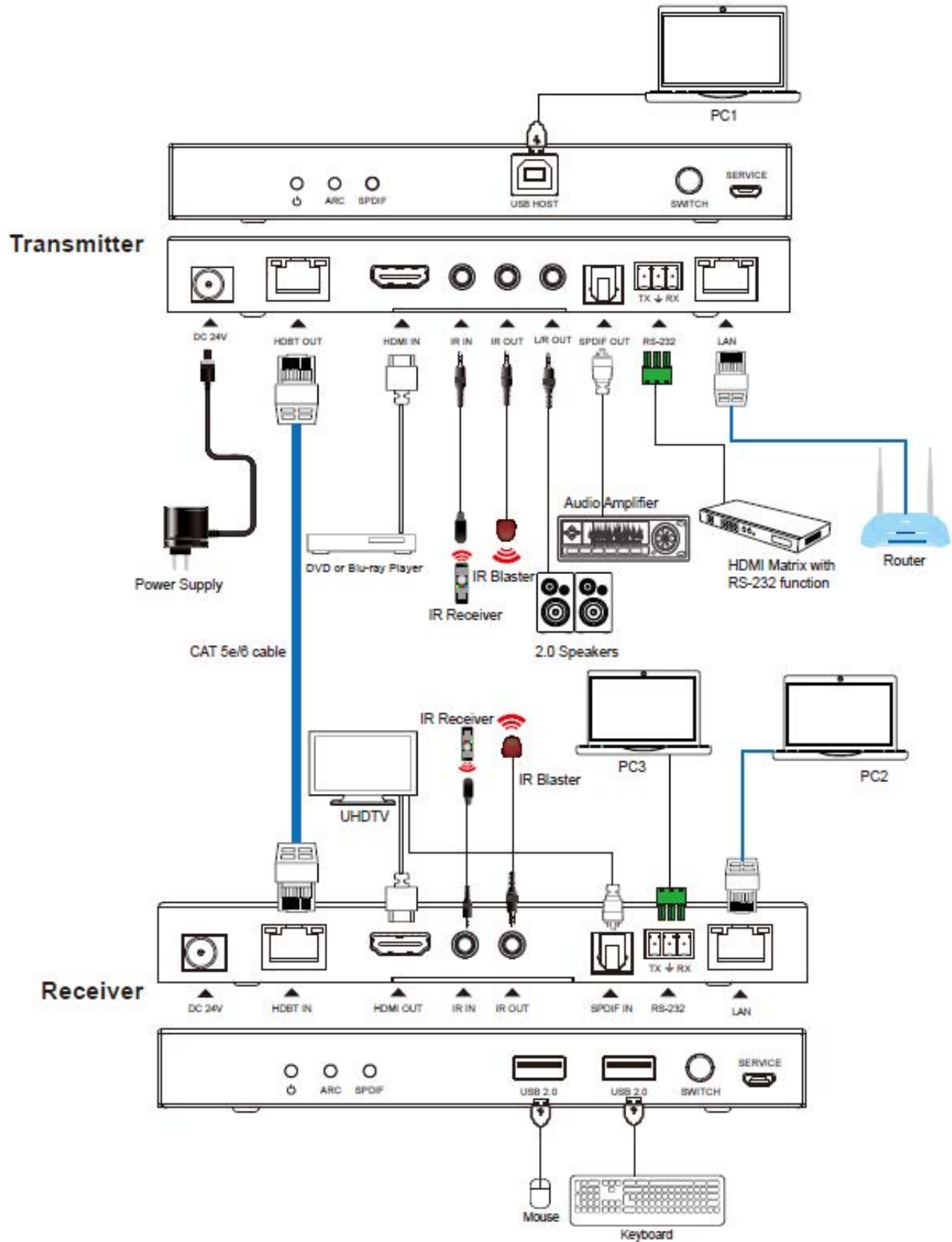
EXT-HB-100AU 18Gbps HDMI Extender can extend high definition video / audio signal, RS-232, bi-directional IR and internet signal, at the distance of up to 328ft /100 meters between transmitter and receiver via a single CAT6a/7 cable and support resolution up to 4K2K@60Hz 4:4:4. The Transmitter supports ARC function and local audio extract. In addition, the extender is equipped with bi-directional IR pass-through which allows for source and display control. It also supports USB KVM and PoC function.

I/O INTERFACE

Transmitter: Inputs: 1x HDMI Type A, Outputs: 1x HDBT OUT, 1x SPDIF OUT, 1xL/R OUT, 1xLAN, Control: 1x IR IN, 1x IR OUT, 1x RS-232, 1x SERVICE, 1xUSB HOST
Receiver: Inputs: 1x HDBT IN, 1x SPDIF IN, Outputs: 1x HDMI Type A, 1x LAN, Control: 1x IR IN, 1x IR OUT, 1x RS-232, 1x SERVICE, 2xUSB 2.0



DIAGRAM





SPECIFICATIONS

Technical			
HDCP Compliance	HDCP 2.2 / HDCP 1.4		
Video Bandwidth	18Gbps		
Video Resolution	4K2K 50/60Hz 4:4:4 4K2K 50/60Hz 4:2:2 4K2K 50/60Hz 4:2:0 4K2K 30Hz 4:4:4 1080p, 1080i, 720p, 720i, 480p, 480i All PC resolutions including 1920 x 1200		
Color Space	RGB / YCbCr 4:4:4, YCbCr 4:2:2, YCbCr 4:2:0		
Color Depth	8/10/12-bit (1080P60Hz, 4K30Hz, 4K60Hz YCbCr4:2:2/4:2:0) 8-bit (4K60Hz 4:4:4)		
HDMI Audio Formats	LPCM 2.0/2.1/5.1/6.1/7.1, Dolby Digital, Dolby TrueHD, Dolby Digital Plus(DD+), DTS-ES, DTS HD Master, DTS HD-HRA, DTS-X		
L/R Audio Formats	PCM 2.0		
SPDIF Audio Formats	LPCM2.0, Dolby Digital, Dolby Digital Plus, DTS		
ESD Protection	Human body model — ±8kV (Air-gap discharge) &±4kV (Contact discharge)		
Connection			
Transmitter	Inputs: 1x HDMI Type A [19-pin female] Outputs: 1x HDBT OUT [RJ45, 8-pin female] 1x SPDIF OUT [S/PDIF] 1xL/R OUT [3.5mm Stereo Mini-jack] 1xLAN [RJ45] Control: 1x IR IN [3.5mm Stereo Mini-jack] 1x IR OUT [3.5mm Stereo Mini-jack] 1x RS-232 [Phoenix jack] 1x SERVICE [Mini-USB, Update port] 1xUSB HOST [USB Type B]		
Receiver	Inputs: 1x HDBT IN [RJ45, 8-pin female] 1x SPDIF IN [S/PDIF] Outputs: 1x HDMI Type A [19-pin female] 1x LAN [RJ45] Control: 1x IR IN [3.5mm Stereo Mini-jack] 1x IR OUT [3.5mm Stereo Mini-jack] 1x RS-232 [Phoenix jack] 1x SERVICE [Mini-USB, Update port] 2xUSB 2.0 [USB Type A]		
Mechanical			
Housing	Metal Enclosure		
Color	Black		
Dimensions	Transmitter / Receiver:165mm [W] x 88mm [D] x 18mm [H]		
Weight	Transmitter: 170g, Receiver: 165g		
Power Supply	Input: AC 100 - 240V 50/60Hz Output: DC 24V/1A (Locking connector)		
Power Consumption	13W		
Operating Temperature	32 - 104°F / 0 - 40°C		
Storage Temperature	-4 - 140°F / -20 - 60°C		
Relative Humidity	20 - 90% RH (no condensation)		
Resolution		Distance	
4K2K	296ft /90M		
1080P	328ft /100M		
Resolution / Cable Length	4K60 - Feet / Meters	4K30 - Feet / Meters	1080P60 - Feet / Meters
HDMI IN / OUT	16ft / 5M	32ft / 10M	50ft / 15M
The use of "Premium High Speed HDMI" cable is highly recommended.			