

4K@60hz 40m 1080P@60hz 70m HDMI HDR HDBaseT Extenders

Model: EXT-HB-70C



FEATURES

- HDMI 1.4 and HDCP 2.2 compliant;
- Support video resolution up to 4k2k@30Hz;
- The maximum transmission distance via a single CAT5e/6 cable is:
 - 1、 70 meters: 1080P@60Hz/36bit; 3D 1080P@30Hz/36bit;
 - 2、 40 meters: 1080P@60Hz/48bit; 1080P@120Hz/24bit;
 - 3、 3D 1080P@60Hz/36bit; 4K x 2K@30Hz/24bit.
- Support POC (Power Over Cable) function, it means that either the transmitter or receiver is connected to 12V/1A power supply, the other doesn't need power supply;
- With bi-directional IR and RS-232 control signal pass-through;
- Compact design for easy and flexible installation;
- Support 10.2Gbps video bandwidth.

INTRODUCTION

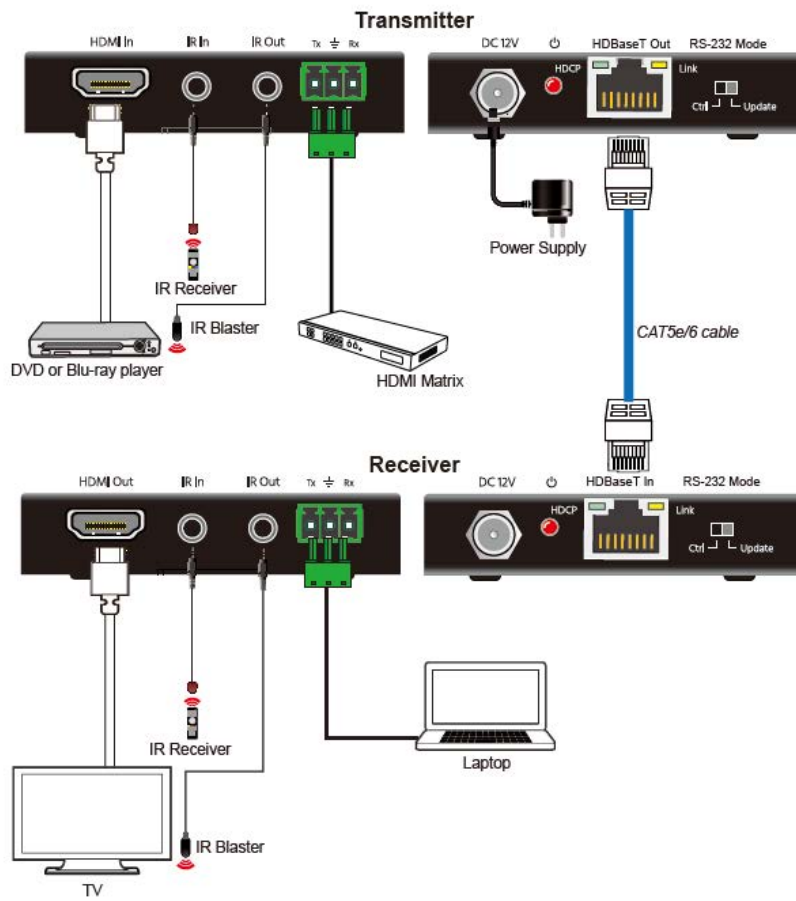
EXT-HB-70C HDMI 70M HDBaseT Extender uses HDBaseT technology to extend the HDMI signal and bi-directional IR control signal to 70 meters via a single Cat 5e/6 cable. This product converts the HDMI signal into a standard HDBaseT signal and then transmits it through the LAN cable. It can easily control the signal source device or display device from the remote end via bi-directional IR signal pass-through. It supports RS-232 signal pass-through, and the resolution is up to 4K×2K@30Hz.

I/O INTERFACE

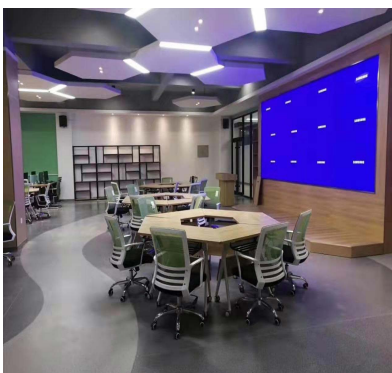
Transmitter Ports: Input: 1×HDMI Type A, Output: 1×HDBT Out, Control: 1×IR In, 1×IR Out, 1×RS-232
Receiver Ports: Input: 1×HDBT Out, Output: 1×HDMI Type A, Control: 1×IR In, 1×IR Out, 1×RS-232



DIAGRAM



APPLICATION





SPECIFICATIONS

Technical	
HDMI Compliance	HDMI 1.4
HDCP Compliance	HDCP 2.2
Bandwidth	10.2Gbps
Video Resolutions	Up to 4K×2K@30Hz 4:4:4
Transmission Mode	HDBaseT
Transmission Distance	1080P≤70m; 4K×2K≤40m
ESD Protection	Human-body Model: ±8kV (Air-gap discharge) , ±4kV (Contact discharge)
Connection	
Transmitter ports	Input: 1×HDMI Type A [19-pin female] Output: 1×HDBT Out [RJ45] Control: 1×IR In [3.5mm Stereo Mini-jack] 1×IR Out [3.5mm Stereo Mini-jack] 1×RS-232 [Phoenix connector]
Receiver ports	Input: 1×HDBT Out [RJ45] Output: 1×HDMI Type A [19-pin female] Control: 1×IR In [3.5mm Stereo Mini-jack] 1×IR Out [3.5mm Stereo Mini-jack] 1×RS-232 [Phoenix connector]
Mechanical	
Housing	Metal Enclosure
Color	Black
Dimensions	Transmitter/Receiver: 120mm (W)×74mm (D)×16mm (H)
Weight	Transmitter/Receiver: 240g
Power Supply	Input: AC100~240V 50/60Hz Output: DC12V/1A (US/EU standards, CE/FCC/UL certified)
Power Consumption	10W (Max)
Operating Temperature	0°C ~ 40°C / 32°F ~ 104°F
Storage Temperature	-20°C ~ 60°C / -4°F ~ 140°F
Relative Humidity	20~90% RH (non-condensing)