

# 4K@60hz 40m 1080P@60hz 70m HDMI HDR HDBaseT Extenders with USB2.0

Model: EXT-HB-70U



## FEATURES

- HDMI2.0b, USB 2.0, HDCP 2.2 / 1.x and DVI 1.0 compliant;
- Support 18Gbps video bandwidth;
- Support video resolution up to 4k2k@60Hz YUV 4:4:4;
- High bit rate audio transmission via HDMI;
- Support USB signal, bi-directional IR and RS-232 control signal passthrough;
- Support USB KVM function;
- Support POC (Power over Cable) function;

## INTRODUCTION

EXT-HB-70U 18Gbps 70M HDBaseT Extender can extend HDMI signal, bi-directional IR control signal, USB signal and RS-232 control signal to a distance up to 70m via a single CAT6/6a cable. It can realize long distance transmission with zero delay and no compression between signal source and display devices. Video resolution up to 4K2K@60Hz YUV 4:4:4. Transmitter supports de-embedded audio for digital optical and stereo analog audio output.

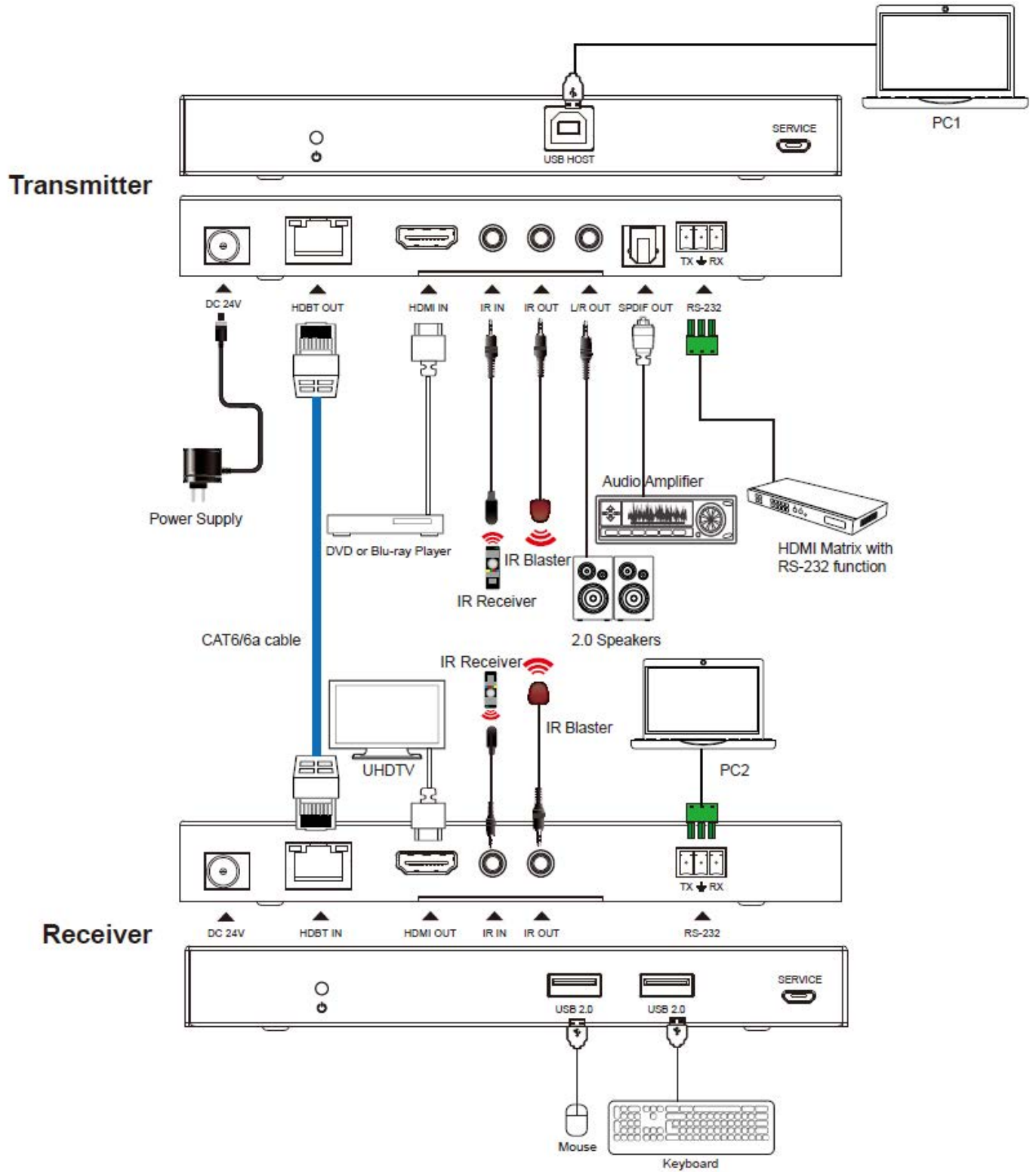
## I/O INTERFACE

Transmitter: Input: 1×HDMI IN, 1×IR IN, 1×Service, 1×USB, Output: 1×HDBaseT OUT, 1×IR OUT, 1×L/R OUT, 1×SPDIF OUT, 1×RS-232  
Receiver: Input: 1×HDBaseT IN, 1×IR IN, 1×Service, Output: 1×HDMI OUT, 1×RS-232, 1×IR OUT, 2×USB

- The transmission distance can be extended up to 70m / 230ft at the resolution of 1080P@60Hz, or 40m / 164ft at 4K2K@60Hz 4:4:4 via a single CAT6/6a cable;
- Transmitter supports de-embedded audio for digital optical and analog audio output;
- Compact design for easy and flexible installation.



## DIAGRAM





## SPECIFICATIONS

<b>Technical</b>	
HDMI Compliance	HDMI 2.0b
HDCP Compliance	HDCP 2.2 / 1.x
Video Bandwidth	18Gbps
Video Resolution	Up to 4K2K@60Hz YUV 4:4:4
USB Compliance	USB 2.0
USB Transfer Rate	Transmission rate up to 480mb/s, USB1.1 compliant
Transmission Distance	70m via a single CAT6 cable
Color Space	RGB, YCbCr4:4:4, YCbCr4:2:2, YCbCr 4:2:0
Color Depth	8-bit, 10-bit, 12-bit (1080P@60Hz) 8-bit (4K2K@60Hz YUV4:4:4) 8-bit, 10-bit, 12-bit (4K2K@60Hz YCbCr 4:2:2/4:2:0)
HDR	HDR10, HDR10+, HLG
Audio Format	HDMI: LPCM 2/5.1/7.1CH, Dolby Digital, DTS 5.1, Dolby Digital+, Dolby TrueHD, DTS-HD Master Audio, Dolby Atmos, DTS:X Optical: Dolby Digital, DTS 5.1, PCM 2CH Analog Signal: LPCM 2CH
<b>Connection</b>	
Transmitter	Input: 1×HDMI IN [TypeA, 19-pin female] 1×IR IN [3.5mm Stereo Mini-jack] 1×Service [Micro-USB jack] 1×USB [USB-B, 4-pin female] Output: 1×HDBaseT OUT [RJ45] 1×IR OUT [3.5mm Stereo Mini-jack] 1×L/R OUT [3.5mm Stereo Mini-jack] 1×SPDIF OUT 1×RS-232 [Phoenix jack]
Receiver	Input: 1×HDBaseT IN [RJ45 with light] 1×IR IN [3.5mm Stereo Mini-jack] 1×Service [Micro-USB jack] Output: 1×HDMI OUT [TypeA, 19-pin female] 1×RS-232 [Phoenix jack] 1×IR OUT [3.5mm Stereo Mini-jack] 2×USB [USB-A, 4-pin female]
<b>Mechanical</b>	
Housing	Metal Enclosure
Color	Black
Dimensions	Transmitter / Receiver:165mm (W)×88.3mm (D)×20mm (H)
Power Supply	DC 24V/1A; Support POC function
Power Consumption	13W (max)
Operating Temperature	0°C ~ 40°C / 32°F ~ 104°F
Storage Temperature	-20°C ~ 60°C / -4°F ~ 140°F
Relative Humidity	20~90% RH (non-condensing)