

# 4K@60hz 18Gbps HDCP 2.2 HDR 1x4 HDMI Splitter Over 60m CAT6 with EDID Management

Model: HS-HDC60-14



## INTRODUCTION

HS-HDC60-14 18Gbps HDMI 1x4 Splitter can distribute 1 HDMI source signal to any 4 display devices. The signal transmission distance can be extended up to 35 meters at the resolution of 4K2K@60Hz, 50 meters at 4K2K@30Hz, 60 meters at 1080P@60Hz via a single CAT6/6a/7 cable. The product supports up to 7.1CH HD audio pass-through. Audio extract function and advanced EDID management are supported.

## I/O INTERFACE

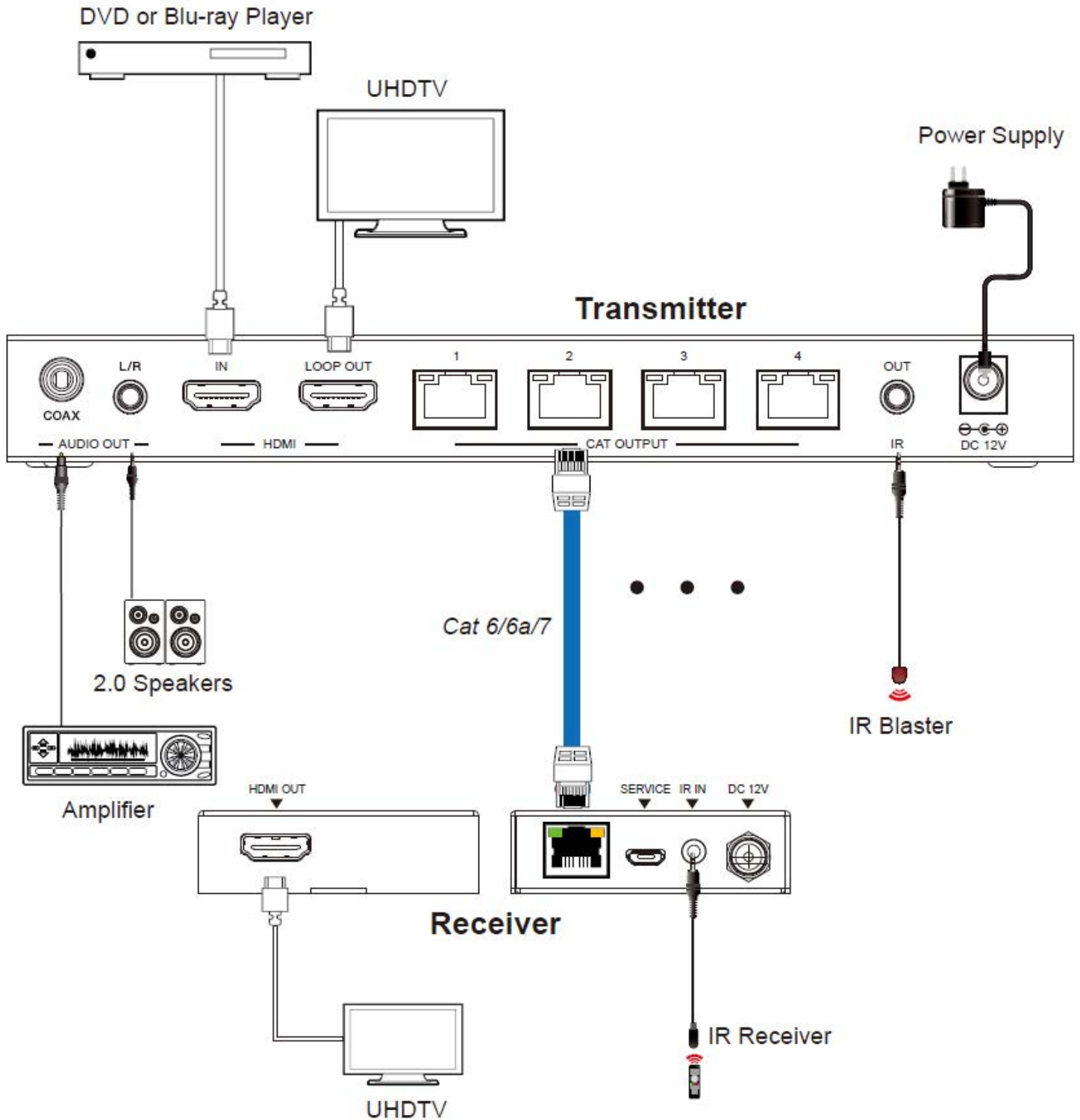
Input: 1×HDMI Type A  
Output: 1×HDMI Type A, 4x CAT OUT, 1x Coaxial Audio OUT, 1x L/R Audio OUT  
Control: 1×SERVICE, 1x EDID DIAL switch, 1x IR OUT

## FEATURES

- HDMI 2.0b, HDCP 2.2 and HDCP 1.x compliant
- Support 18Gbps video bandwidth
- Support video resolution up to 4K2K@50/60Hz 4:4:4
- Support HDR, HDR10+, HLG and Dolby vision
- Support up to 7.1CH HD audio pass-through
- Support digital and analog audio de-embedded output
- Signal transmission distance extended to 35 meters at 4K resolution, 50 meters at 30Hz, and 60 meters at 1080P
- Support 1 HDMI input, 1 HDMI loop output and 4 CAT outputs
- Support one-way IR control signal pass-through
- Advanced EDID management
- Support one-way PoC function (only from transmitter to receiver)
- Compact design for easy and flexible installation



## DIAGRAM



## SPECIFICATIONS



## SPECIFICATIONS

Technical	
HDMI Compliance	HDMI 2.0b
HDCP Compliance	HDCP 2.2/1.x
Video Bandwidth	594MHz/18Gbps
Video Resolution	Up to 4k2k@50/60Hz 4:4:4
	8-bit,10-bit,12-bit(1080p@60Hz) 8-bit (4K2K@60Hz)
Color Depth	8-bit (4K2K@60Hz YUV4:4:4)8-bit,10-bit,12-bit(4K2K@60Hz YCbCr 4:2:2/4:2:0)
Color Space	RGB, YCbCr 4:4:4 / 4:2:2. YUV 4:2:0
HDR	Support HDR10, HDR10+, HLG, Dolby vision
	LPCM 2.0/2.1/5.1/6.1/7.1, Dolby Digital, Dolby TrueHD, Dolby Digital Plus(DD+), DTS-ES, DTS HD Master, DTS HD-
HDMI Audio Formats	HRA, DTS-X
Coaxial Audio Formats	PCM2.0, Dolby Digital / Plus, DTS 2.0/5.1
Analog Audio Formats	PCM 2.0CH
ESD Protection	Human body model—±8kV (Air-gap discharge) & ±4kV (Contact discharge)
Connection	
Input	1×HDMI Type A (19-pin female)
	1×HDMI Type A (19-pin female) 4x CAT OUT [RJ45, 8-pin female] 1x Coaxial Audio OUT [RCA]
Output	1x L/R Audio OUT [3.5mm Stereo Mini-jack]
	1×SERVICE (Micro USB, Update port) 1x EDID DIAL switch [5-pin]
Control	1x IR OUT [3.5mm Stereo Mini-jack]
Mechanical	
Housing	Metal Enclosure
Silkscreen Color	Black
Dimensions	Transmitter: 210mm (W) × 100mm (D) × 25mm (H) Receiver: 88mm (W) × 61mm (D) × 18mm (H)
Weight	Transmitter: 617g Receiver:155g
Power Supply	Input: AC100 - 240V 50/60Hz, Output: DC 12V/2.5A (US/EU standards, CE/FCC/UL certified)
Power Consumption	14W
Operation Temperature	0°C ~ 40°C / 32°F ~ 104°F
Storage Temperature	-20°C ~ 60°C / -4°F ~ 140°F
Relative Humidity	20~90% RH (non-condensing)