



HDMI Extender with Unidirectional IR Control (70 m)

Model: CAT-HD-70C



INTRODUCTION

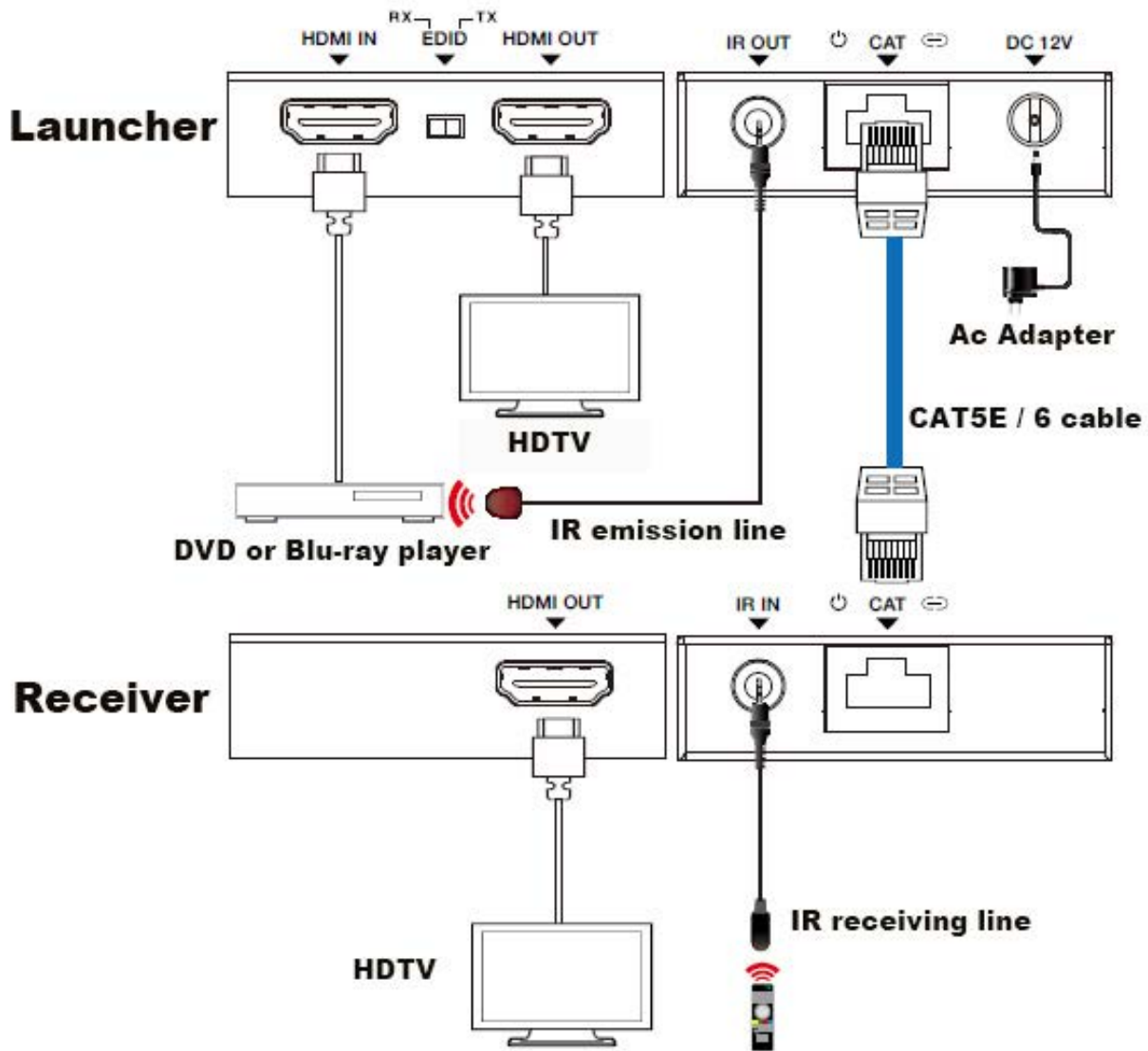
This HDMI extender can extend hd audio and video signals and IR control signals by 70m (1080p resolution) or 40m (4K30 resolution) over a single Class 6 cable (CAT6), achieving long distance and high quality transmission with zero delay between the signal source and the display device. Support local HDMI signal loop, and can be cascading to another extension device video resolution up to 4K2K@30Hz 4:4:4 support EDID copy function (local or remote EDID can be selected) support PCM7.1, Dolby True HD, DTS HD and other audio formats

FEATURES

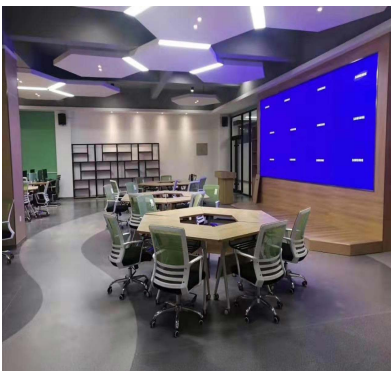
- Conforms to HDMI 1.4 HDCP 1.4 and DVI 1.0 specifications;
- Video resolution is up to 4K2K@30Hz YUV 4:4:4;
- The maximum signal transmission distance through a single CAT5E/6 network cable is shown as follows:
CAT6: 70m extension, 1080P resolution; Extended 40 meters, 4K30 resolution.
CAT5E: extension 60 meters, resolution 1080P; The extension is 35 meters and the resolution is 4K30.
- You can copy the EDID from the receiving end or the outgoing end;
- Signals are cascaded through an HDMI signal loopout port;
- Unidirectional POC support (from transmitter to receiver);
- Control with unidirectional IR signal;
- Reasonable design, easy to install.



DIAGRAM



APPLICATION





SPECIFICATIONS

Specification	
HDMI compatible	HDMI 1.4
HDCP compatible	HDCP 1.4
Video bandwidth	10.2Gbps
Video resolution	Up to 4k@30 hz
audio format	Up to 7.1ch HD Audio
TMDS input signal	3.3 volts
DDC input signal	5.0 volts/P-P
Electrostatic protection	Mannequin: $\pm 8\text{kV}$ (kV) , $\pm 4\text{kV}$ (Contact discharge)
Link	
Launcher	input: 1×HDMI IN [Type A, 19-pin Receptacle] Output: 1×HDMI OUT [Type A, 19-pin Receptacle] 1×IR OUT [3.5mm, Stereo, Mini socket] 1×CAT OUT [RJ45, 8-pin Receptacle]
Receiver	input: 1×IR IN [3.5mm, Stereo, Mini socket] 1×CAT IN [RJ45, 8-pin Receptacle] Output: 1×HDMI OUT [Type A, 19-pin Receptacle]
Fuselage	
Housing	Metal Case
Color	Black
Size	79.5mm [L] x 69mm [W] x 16.5mm [H]
Weight	Launcher: 132g, Receiver: 130g
Power supplies	12V/1A DC
Power Consumption	Launcher: 1.86W, Receiver: 0.87W
Operating temperature	0°C ~ 40°C
Storage temperature	-20°C ~ 60°C
Relative humidity	20~90% RH (No condensation)