



CE UHD Series Video Wall Controller

Model: VW-DSE-U14



INTRODUCTION

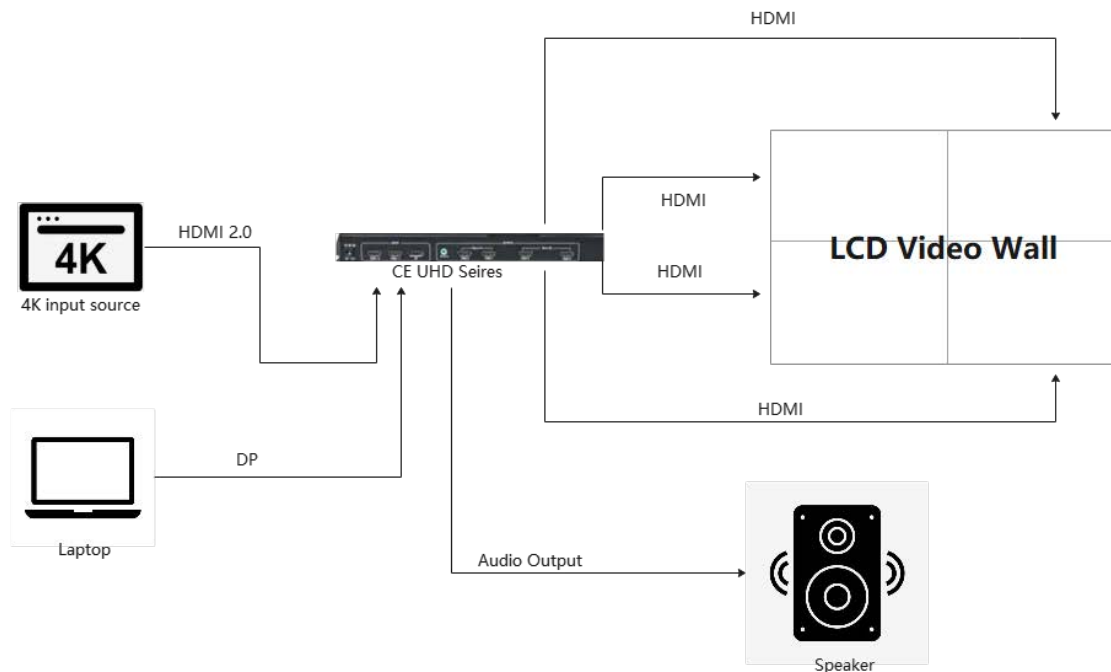
CE-UHD Series is a 4K four-screen video wall processor. Its main function is to display a 3840x2160@60HZ ultra-high-definition image on a 2x2 splicing display unit. The product adopts advanced image processing technology, and the input signal can support HDMI2.0 at most, that is, 3840x2160@60HZ. Even when playing fast animation, there will be no delay or frame loss.

FEATURES

- Support 1 x HDMI2.0, 1 x HDMI1.4, 1 x DP1.2 signal input, Maximum resolution support 3840x2160@60Hz;
- Support custom 4 x HDMI 1.3 signal output, each output resolution 1920x1080 @ 60HZ;
- Support screen 180° rotation, Multiple splicing modes can be realized;
- Realize all 2x2 four-screen splicing functions, such as 1x2, 1x3, 1x4 display mode;
- Output HDMI built-in audio, which can achieve video + audio synchronization, and supports 3.5mm audio interface, supports external speakers.



DIAGRAM



SPECIFICATIONS

Product Hardware Information	System structure	Pure hardware architecture
	Operating system	No CPU and operating system
Input/Output Signal	Input interface	1 x HDMI2.0, 1 x DP1.2, 1 x HDMI1.4
	Input resolution	Up to 3840 x 2160@60Hz
	Output interface	4 x HDMI1.3, 1 x 3.5mm audio
	Output resolution	Up to 1920 x 1080@60Hz
Image Processing	Color	24bit, 16.77 million colors
	Splicing mode	2 x 2 / 1 x 4 / 1 x 3 / 1 x 2 / 4 x 1...
Control	Control method	Chassis button, remote control
Stability	Safety	Hardware Structure, no virus interference
	Continuity	365 days, 7 x 24 hours operation
Electrical Parameters	Voltage	DC12V 3A
	Power	<12W
Package	Product size	299mm(L) x 175mm(W) x 35mm(H)
	Product weight	0.75KG
	Package size	310mm(L) x 290mm(W) x 130mm(H)
	Gross weight	2.5KG