



H.264 & H.265 AV Over IP Video Wall Processor with KVM

Model: VW-IPH-HD, VW-IPH-4K

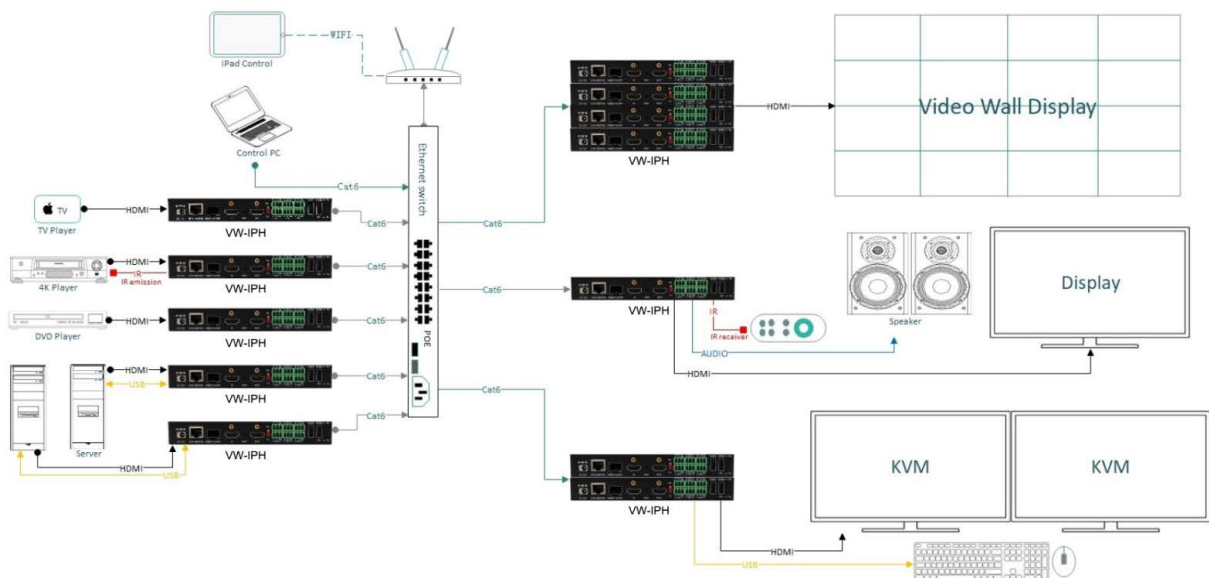


INTRODUCTION

VW-IPH AV over IP encoder and decoder that ultra-low latency, high quality video and audio signals over 1 Gbps Ethernet networks at low bitrates.

VW-IPH also supports built-in KVM function, high synchronization and easy to control multiple workstations, PC or video resources remotely via local keyboard, mouse and monitors.

DIAGRAM





SPECIFICATIONS

NP Lite(TX Mode)		NP Lite(RX Mode)	
INTERFACE		INTERFACE	
Video	1 x Type-A HDMI input (Audio embedded)	Video	1 x Type-A HDMI output (Audio embedded)
	1 x Type-A HDMI Loop output (Audio embedded)		
Audio	1 x 3PIN Phoenix input	Audio	1 x 3PIN Phoenix output
Communication	RS232, RS485, IO/IR, Relay	Communication	RS232, RS485, IO/IR, Relay
Network	1G Ethernet interface (POE) / 1 x Firber	Network	1G Ethernet interface (POE) / 1 x Firber
Power	1 x DC 12V 2A	Power	1 x DC 12V 2A
USB	2 x USB2.0 (Connect to PC)	USB	2 x USB2.0 (Connect to Keyboard and Mouse)
PARAMETER		PARAMETER	
Resolution	Support up to 3840 x 2160@30Hz	Resolution	Support up to 3840 x 2160@30Hz
Protocol	RTSP / UDP / ONVIF / RTP	Protocol	RTSP / UDP / ONVIF / RTP
Video Fromat	H.264 / H.265	Video Fromat	H.264 / H.265
Audio Fromat	AAC / G711A	Audio Fromat	AAC / G711A
Color	8bit	Color	8bit
ENVIRONMENT		ENVIRONMENT	
Power	DC 12V 2A	Power	DC 12V 2A
Power supply	<15W	Power supply	<15W
Temperature range	0~50℃ (Working)	Temperature range	0~50℃ (Working)
Working humidity	10%~90%	Working humidity	10%~90%
Size	180mm×130mm×30mm	Size	180mm×130mm×30mm
Weight	0.713KG	Weight	0.713KG